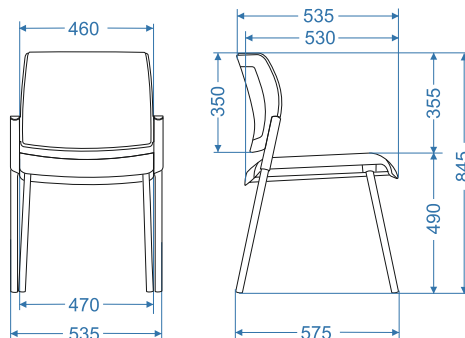


TECHNICAL INFORMATION

AURA

VISITOR CHAIR

2014
08 25



TECHNICAL FEATURES

- Frame:** four legged reinforced steel chromed frame , 25 mm diameter, thickness 2 mm.
- Back:** PP (Polypropylene) outer and inner back, injected foam, density (H5050): 48-51 kg/m³; 170-210 N, CFC free (NO chlorofluorocarbon). Clips fixing system + 3 self-threading screws.
- Seat:** PP (Polypropylene) outer and inner seat, injected foam, density (H5050): 48-51 kg/m³; 170-210 N, CFC free (NO chlorofluorocarbon). Fixing with 8 self-threading screws.

PACKING

| Weight NET, kg | Weight, kg | Package type | Unit per box | Volume, m ³ | Units per palette | Boxes per palette | Box dimensions LxWxH (cm) | Pallet dimensions LxWxH (cm) |
|----------------|------------|--------------|--------------|------------------------|-------------------|-------------------|---------------------------|------------------------------|
| 6,98 | 9,34 | assembled | 1 | 0,37 | 4 | 4 | 640x580x900 | 1200x800x1950 |

CHARACTERISTICS

Exceptional comfort and elegant design.

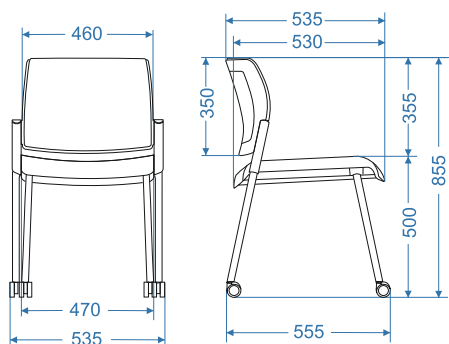
Production date: 2014-02-28
Guarantee: 3 years

TECHNICAL INFORMATION

AURA

VISITOR CHAIR

2015
12 10



TECHNICAL FEATURES

- Frame:** four legged with 4 wheels reinforced steel chromed frame , 25 mm diameter, thickness 2 mm.
- Back:** PP (Polypropylene) outer and inner back, injected foam, density (H5050): 48-51 kg/m³; 170-210 N, CFC free (NO chlorofluorocarbon). Clips fixing system + 3 self-threading screws.
- Seat:** PP (Polypropylene) outer and inner seat, injected foam, density (H5050): 48-51 kg/m³; 170-210 N, CFC free (NO chlorofluorocarbon). Fixing with 8 self-threading screws.

PACKING

| Weight NET, kg | Weight, kg | Package type | Unit per box | Volume, m ³ | Units per palette | Boxes per palette | Box dimensions LxWxH (cm) | Palet dimensions LxWxH (cm) |
|----------------|------------|--------------|--------------|------------------------|-------------------|-------------------|---------------------------|-----------------------------|
| 7,22 | 9,58 | assembled | 1 | 0,33 | 4 | 4 | 640x580x900 | 1200x800x1950 |

CHARACTERISTICS

Exceptional comfort and elegant design.

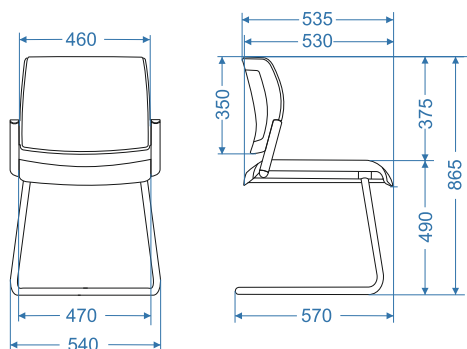
Production date: 2014-02-28
Guarantee: 3 years

TECHNICAL INFORMATION

AURA

VISITOR CHAIR

2014
08 25



TECHNICAL FEATURES

- Frame:** reinforced steel chromed SLED frame , 25 mm diameter, thickness 2 mm.
- Back:** PP (Polypropylene) outer and inner back, injected foam, density (H5050): 48-51 kg/m³; 170-210 N, CFC free (NO chlorofluorocarbon). Clips fixing system + 3 self-threading screws.
- Seat:** PP (Polypropylene) outer and inner seat, injected foam, density (H5050): 48-51 kg/m³; 170-210 N, CFC free (NO chlorofluorocarbon). Fixing with 8 self-threading screws.

PACKING

| Weight NET, kg | Weight, kg | Package type | Unit per box | Volume, m ³ | Units per palette | Boxes per palette | Box dimensions LxWxH (cm) | Pallet dimensions LxWxH (cm) |
|----------------|------------|--------------|--------------|------------------------|-------------------|-------------------|---------------------------|------------------------------|
| 7,86 | 10,22 | assembled | 1 | 0,33 | 4 | 4 | 640x580x900 | 1200x800x1950 |

CHARACTERISTICS

Exceptional comfort and elegant design.

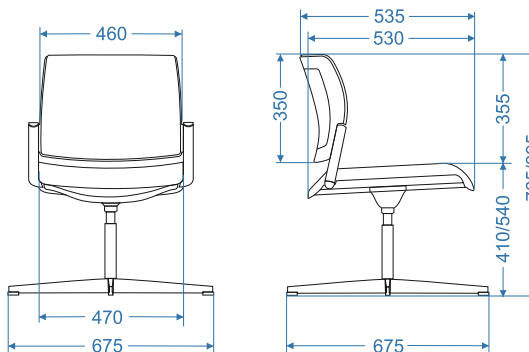
Production date: 2014-02-28
Guarantee: 3 years

TECHNICAL INFORMATION

AURA

VISITOR CHAIR

2014
08 25



TECHNICAL FEATURES

- Frame:** Swivel and bench reinforced steel chromed frame , 25 mm diameter, thickness 2 mm.
- Back:** PP (Polypropylene) outer and inner back, injected foam, density (H5050): 48-51 kg/m³; 170-210 N, CFC free (NO chlorofluorocarbon). Clips fixing system + 3 self-threading screws.
- Seat:** PP (Polypropylene) outer and inner seat, injected foam, density (H5050): 48-51 kg/m³; 170-210 N, CFC free (NO chlorofluorocarbon). Fixing with 8 self-threading screws.

PACKING

| Weight NET, kg | Weight, kg | Package type | Unit per box | Volume, m ³ | Units per palette | Boxes per palette | Box dimensions LxWxH (cm) | Palet dimensions LxWxH (cm) |
|----------------|------------|--------------|--------------|------------------------|-------------------|-------------------|---------------------------|-----------------------------|
| 8,64 | 11 | assembled | 1 | 0,33 | 4 | 4 | 640x580x900 | 1200x800x1950 |

CHARACTERISTICS

Exceptional comfort and elegant design.

Production date: 2014-02-28
Guarantee: 3 years