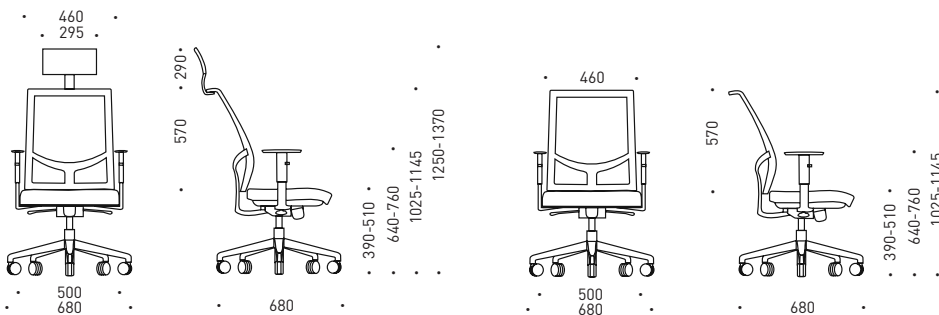


EVA. II

TECHNICAL INFORMATION



Types

- Executive chairs;
- Task chairs.

Seat

- Made of polyurethane.

Frame

- Black or white plastic.

Mesh

- Backrest is upholstered with highly breathable mesh.

Lumbar support

- Height adjustable, made of white or black plastic.

Armrests

- Fixed black plastic armrests
- Fixed polished aluminium armrests;

- Height adjustable white plastic armrests;
- Height adjustable black plastic armrests;
- Height adjustable armrests with soft polyurethane pads;
- 2D (two directions) height adjustable armrests. Upper part coated with a PU (polyurethane) pad, soft touch, the lower part is made of polished aluminium. The top of armrests moving forward or backward.

Mechanism

- Epron: mechanism with synchronized movement of seat and back, 5 locking positions of the backrest, hand wheel tension adjustment;
- Epron Plus: synchronized mechanism, 5 locking positions of the backrest, tension adjustment with quick side tension regulation by lever.

Gas lift

- Chromed or black colour, 120 mm run range.

Bases

- Five-star polished aluminium or black plastic base with fiber-glass, external \varnothing 680 mm.

Castors

- Rubber free wheel castors for hard floor, \varnothing 65 mm;
- PA (polyamide) free wheel castors for soft floor, \varnothing 65 mm.

Headrest

- Fixed, made of soft polyurethane.

MATERIALS

- Fabric: BONDAL, XTREME PLUS, TWIST, VELITO;
- Mesh: PM, GM;
- Leather look: RNN.

QUALITY STANDARD

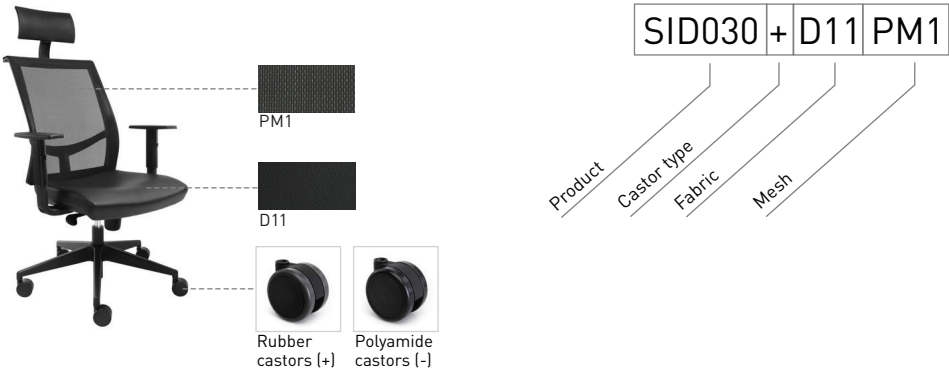
- LST EN 1335-1:2000
- LST EN 1335-1:2000/AC:2003
- LST EN 1335-2:2009

GUARANTEE

- 3 years

ORDERING EXAMPLE

Code structure



SID030 + D11 PM1

Product Castor type Fabric Mesh

Rubber castors (+) Polyamide castors (-)

Optional



Fixed black plastic armrests



Fixed aluminium armrests



Height adjustable white plastic armrests



Height adjustable black plastic armrests



Height adjustable armrests with soft PU pads



2D height adjustable armrests