

WIND chair family



QUALITY STANDARDS

- LST EN 1335 - 1:2000
- LST EN 1335 - 1:2000 / AC:2002
- LST EN 1335 - 2:2009
- LST EN 1335 - 3:2009
- LST EN 1335 - 3:2009 / AC:2009

TECHNICAL INFORMATION

Type

- Task chairs.

Seat

- Fixed or depth adjustable (60 mm run range);
- Lower part (inner and outer) made of PP (polypropylene);
- Foam made of polyurethane;
- Upholstered with fabric or leather look.

Backrest

- Frame made of black or white plastic;
- Upholstered with mesh or fabric;
- Inner foam made of polyurethane (fabric upholstery).

Lumbar support

- Height adjustable (80 mm run range);
- Made of transparent silicon.

Armrests

- Fixed black plastic armrests.
- 2D (two directions) adjustable black plastic armrests.
- 2D (two directions) adjustable black plastic or white plastic armrests with polished aluminium lower part.
- 2D armrests adjustable in height (80 mm run range), pad moves forward and backward (55 mm range).
- 3D (three directions) adjustable black plastic armrests.

- 3D (three directions) adjustable black plastic or white plastic armrests with polished aluminium lower part.
- 3D armrests adjustable in height (80 mm run range), adjustable in width (37 mm run range), pad moves forward and backward (55 mm range).
- All armrests upper part coated with PU (polyurethane) pads, soft touch.

Headrest

- Frame made of nylon plastic;
- Soft part made of polyurethane;
- Height adjustable (60 mm run range);
- Upholstered with fabric or leather look.

Mechanism

- Weight-sensitive synchronized mechanism;
- 3 backrest locking positions by push button;
- Height adjustment by side lever.

Gas lift

- Chromed or black colour;
- 130 mm run range.

Bases

- Five-star polished aluminium base;
- Five-star black or white plastic base with fiberglass;
- External Ø700 mm.

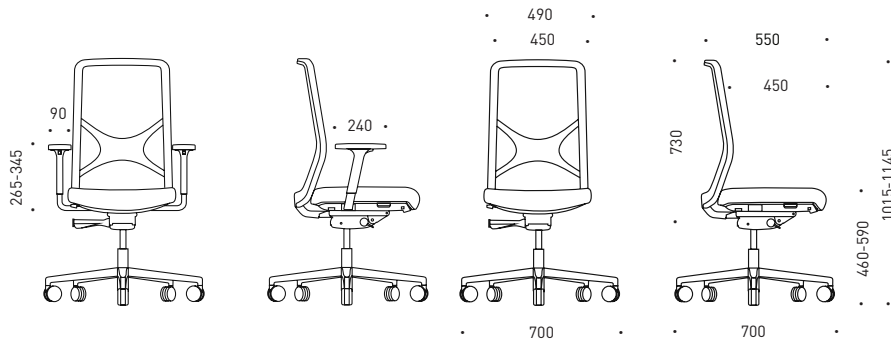
Castors

- Rubber free wheel castors for hard floor, Ø65 mm;
- PA (polyamide) free wheel castors for soft floor, Ø65 mm.

MATERIALS

- Fabric: BONDAL, BERTA, ERA, XTREME PLUS, SYNERGY;
- Leather look: RNN;
- Mesh: MM;
- Silicon (lumbar support): X2 (transparent).

RANGE

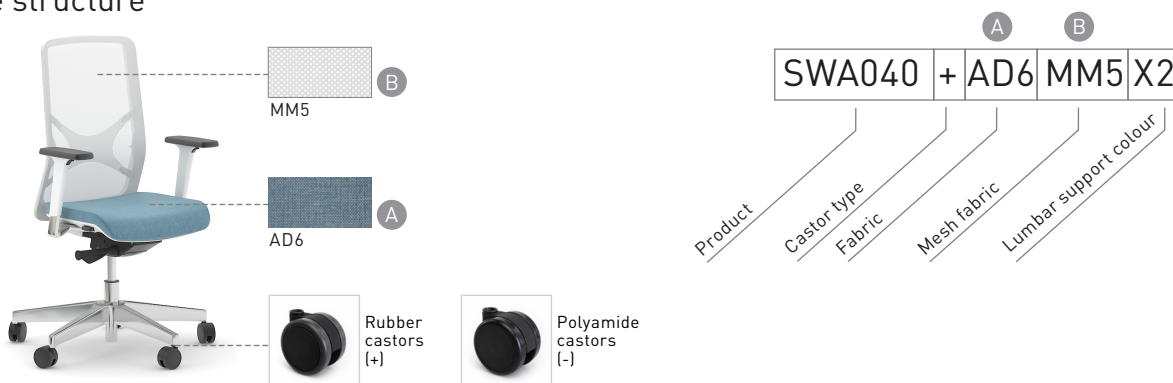


GUARANTEE

- 3 years

ORDERING EXAMPLE

Code structure



Optional



Fixed armrests



2D (two directions) adjustable armrests



3D (three directions) adjustable armrests



Headrest